

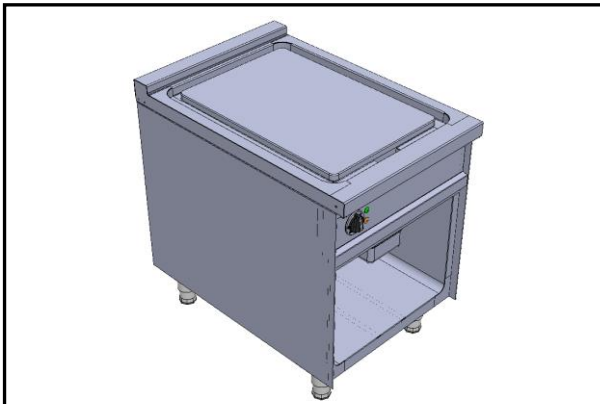


Total Food-Service Solutions

Modular Cooking –Grandis 900

Electric Fry Top

NEFT 6-90 GR



*Due to routine technical improvement, the photograph shown may not represent the latest design of the products.

AVAILABLE MODEL

1. NEFT 6-90 GR

DESCRIPTION

Nayati Electric Fry Top with 8.5 kW power rate. Working temperature maintained by thermostat with maximum working temperature of 300°C.

Unit to be installed on open cabinet or similar elements, cantilever, or solid block solutions. Featuring removable clip joint to connect Grandis family product.

ITEM# : _____

MODEL# : _____

NAME : _____

SN : _____

MAIN FEATURE

- Single zone plancha fry top with Steady State Surface (SSS) heating system.
- Plancha fry top for multipurpose cooking and easier transfer between cooking appliances.
- Uniform heating with 20 mm thick SS420.
- H2 Cabinet Finishing.
- Option of smooth, half grooved, full grooved or mirror finished plancha.

CONSTRUCTION

- All exterior panels in 304 type of Stainless Steel
- Orbital top panel anti-scratch finishing.
- Top with 2.0 mm thick surface.
- Side with 0.8 mm thick surface.
- Adjustable ±25 mm Stainless Steel leg.

INCLUDED ACCESSORIES

- Food Pan ½ GN

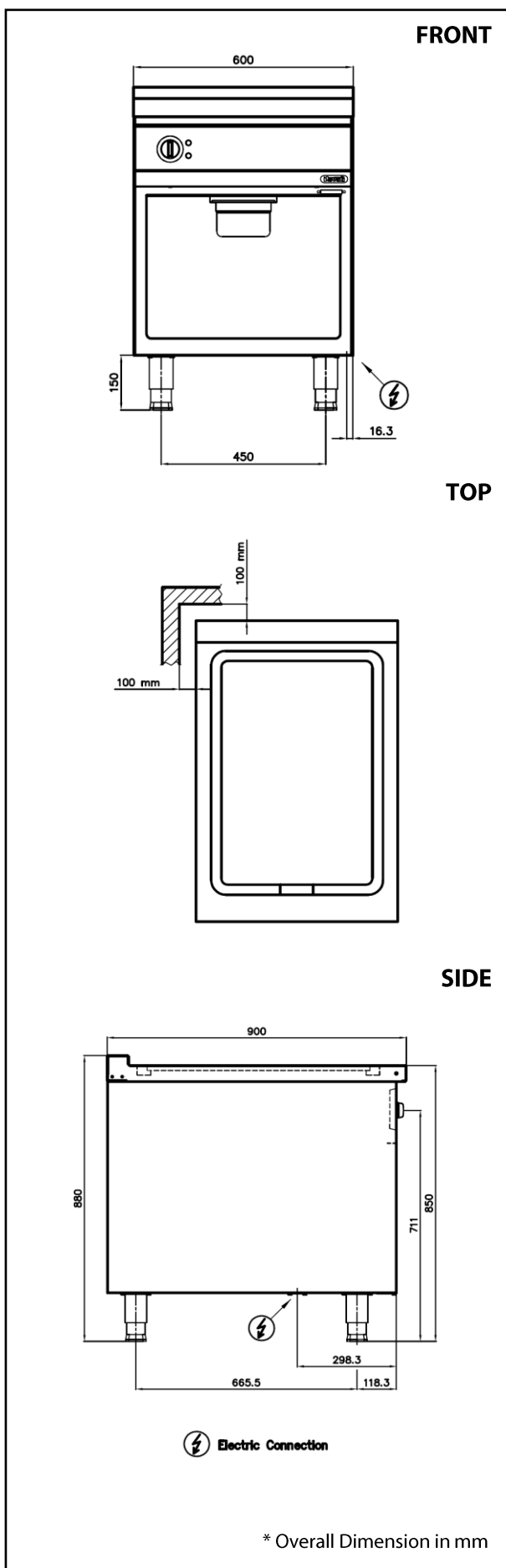
OPTIONAL ACCESSORIES

- Scrapper.
- Clip Plate for Joining

: _____

The company reserves the right to make modifications to the products without prior notice. All information correct at time of printing. 2018.05.21





ELECTRIC

Electrical rating (kW)	:	8.5
Element rating (kW)	:	8.5
Electrical supply voltage	:	400V 3N
Required electrical supply (amps):		16
Electrical current split (amps) :		L1: 16
		L2: 8
		L3: 16

KEY INFORMATION

Cooking surface width	:	450 mm
Cooking surface depth	:	670 mm
Direct heat emission	:	2.8 kW
Latent heat emission	:	3.4 kW
Steam emission	:	5 kg / h
Min. working temperature	:	50°C
Max. working temperature	:	300°C
Net weight	:	102 kg
Shipping height	:	1020 mm
Shipping width	:	655 mm
Shipping depth	:	994 mm
Shipping volume	:	0.665 m ³